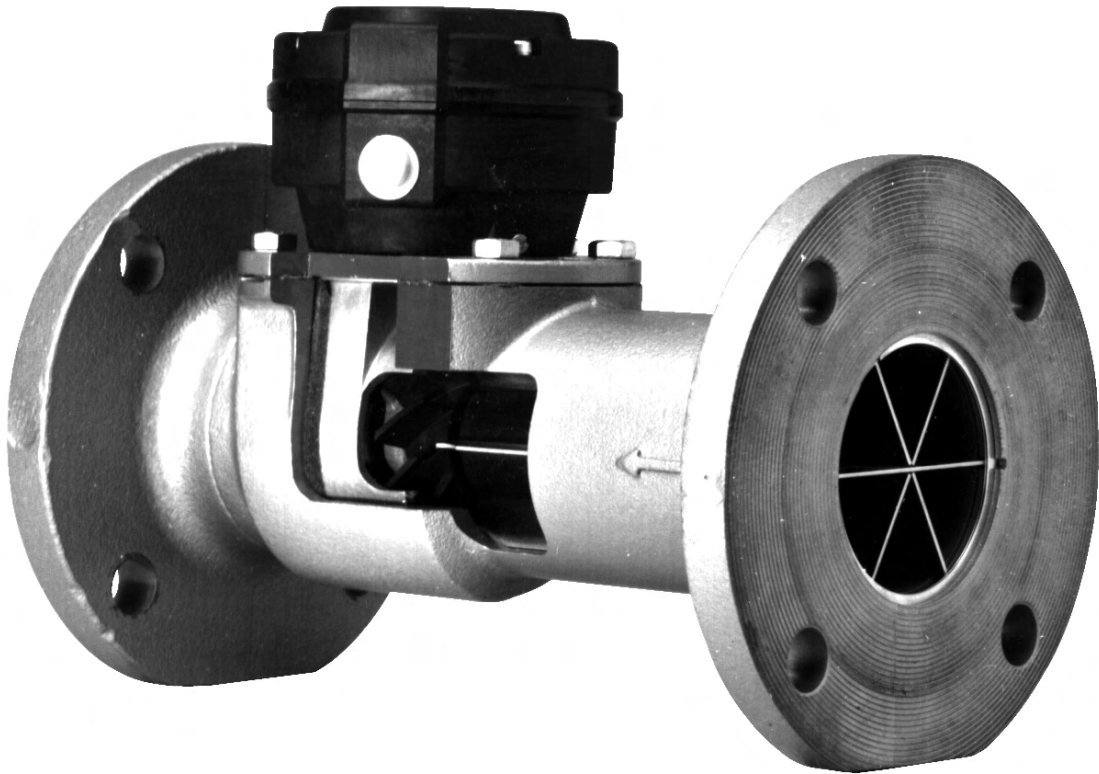




Badger Meter

Industrial Turbo Meters

Sizes 2" through 6"



Available from:



**STERLING
CONCRETE
EQUIPMENT**

937-747-4300

SterlingConcreteEquipment.com

CONTENTS

Scope of the Manual5

Specifications5

Product Unpacking and Inspection5

Installation5

 Preliminary Considerations5

 Installing the Meter6

 Performance Checks6

Operation7

 General Operating Instructions7

 Manual Operation7

 Accessory Controlled Operation7

 Shutdown Instructions7

Maintenance8

 Maintenance Equipment8

 Preventive Maintenance8

 Periodic Inspection8

 Cleaning8

 Calibration Check and Adjustment8

 Accuracy Test8

 Change Gear Corrections9

 Electronic Scaling Correction9

 Calibrating 2" and 3" Meters10

 Register Base Replacement10

 Servicing12

 Change Gear Replacement12

 Instructions for Removing the Gear Train Assembly with Magnet13

 Instructions for Removing the Local Register14

SCOPE OF THE MANUAL

This manual contains information concerning the installation, operation and maintenance of Badger Meter® magnetic drive turbo meters. To efficiently operate the meters, you must read and understand the instructions given in this manual. Retain the manual in a location where it is readily available for reference.

SPECIFICATIONS

Maximum Operating Temperature	250.5° F (120.5° C)
Maximum Operating Pressure	150 psi (10 bar) Optional: 300 psi (bronze), 250 psi (cast iron)
Accuracy Over Entire Range*	± 1.5%
Repeatability	0.5 or better
Connections	Round flange ASA or DIN
Body Materials	SS 316, bronze, cast iron
Rotor and Nose Cone Materials	Ryton
Head Assembly Materials	SS 316 or bronze
Straightening Vane Material	SS 316
Head Gasket Materials	Asbestos, Nitrile or Chloroprene
O-Ring Materials	EPR, Buna, Viton A
Bearing and Magnet Material	Ceramic
Spindle	SS 316

PRODUCT UNPACKING AND INSPECTION

Upon opening the shipping container, visually inspect the product and applicable accessories for any physical damage such as scratches, loose or broken parts, or any other sign of damage that may have occurred during shipment.

NOTE: If damage is found, request an inspection by the carrier's agent within 48 hours of delivery and file a claim with the carrier. A claim for equipment damage in transit is the sole responsibility of the purchaser.

INSTALLATION

The procedures for installing Badger Meter turbo meters are essentially the same for all meter sizes. Any special instructions required for the installation and/or electrical connection of meter-mounted or free-standing accessory devices such as registers, pulse transmitters, valves and remote batch controllers are provided with those devices.

Preliminary Considerations

- The Badger Meter 2" through 6" industrial turbo meters are designed for operation in HORIZONTAL piping arrangements.
- If solid material is present in the liquid to be metered, a strainer may be required in the facility piping upstream of the meter. The 2", 3" and 4" meters require a strainer with 1/16" diameter holes and the 6" meter requires a strainer with 1/8" diameter holes.
- To permit periodic cleanout of the meter and to provide a convenient means of stopping fluid flow during maintenance, incorporate a flushing system into the facility piping arrangement.

Available from:



**STERLING
CONCRETE
EQUIPMENT**

937-747-4300

SterlingConcreteEquipment.com

Installing the Meter

1. Install the meter in the pipeline so the flow arrow on the meter housing is in proper relation to the direction of liquid flow. Install ten pipe diameters upstream and five pipe diameters downstream of straight, unobstructed pipe. If this is not possible, contact factory to review your installation.
2. Install and tighten the flange connection bolts.
3. To relieve possible strain on the piping due to the weight of 4" and 6" turbo meters, install a meter support under the meter housing.

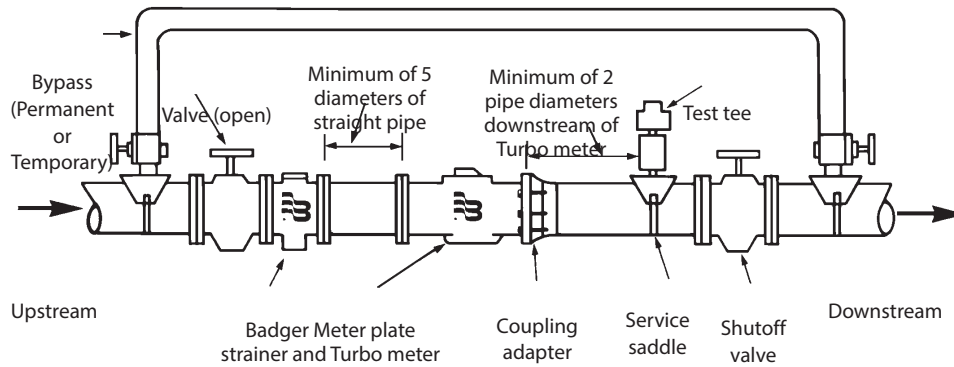


Figure 1: Recommended meter installation

Performance Checks

Complete the following checks for proper installation and operation.

1. Slowly open the upstream valve to apply liquid pressure to the meter and check the flange connections for possible leaks. Retighten the flange bolts as required.
2. Perform a functional test of the turbo meter following "Calibration Check and Adjustment" on page 8.

Available from:



**STERLING
CONCRETE
EQUIPMENT**

937-747-4300

SterlingConcreteEquipment.com

OPERATION

General Operating Instructions

⚠ CAUTION

REGARDLESS OF THE OPERATING PROCEDURE USED, THE VALVES OR DEVICES CONTROLLING THE FLOW OF LIQUID THROUGH THE TURBO METER MUST ALWAYS BE OPENED AND CLOSED SLOWLY OR IN STAGES TO PREVENT SHOCK LOADS THAT MAY DAMAGE THE METER'S ROTOR ASSEMBLY.

Manual Operation

These procedures are intended for use in simple metering applications where the flow of liquid through the meter is controlled by hand-operated valves located in the facility piping upstream and downstream of the meter.

1. Slowly open the upstream valve to allow liquid to flow to the meter.
2. Slowly open the downstream valve to initiate metering.
3. Adjust the downstream valve so that the rate of flow does not exceed the maximum continuous flow rate specification of the meter.
4. To stop metering, slowly close the downstream valve, then close the upstream valve.

Accessory Controlled Operation

The step-by-step operating procedures used in accessory controlled metering applications are dependent on the specific function of the meter accessory employed and its electrical or pneumatic interconnection with the flow control device or devices. Refer to the user manuals covering the applicable accessories for specific operating instructions.

Shutdown Instructions

If the turbo meter is to be shut down for an extended period of time, thoroughly flush the measuring chamber to prevent undissolved solids or corrosive deposits from accumulating.

Available from:



**STERLING
CONCRETE
EQUIPMENT**

937-747-4300

SterlingConcreteEquipment.com

MAINTENANCE

Maintenance Equipment

With the exception of a special change gear mesh gage and a calibration test tank, the tools required are the usual compliment of standard hand tools used by plumbers and mechanics.

Truarc Right-Angle Pliers	Truarc P/N 1549 (Badger Meter P/N 57321-001)
Change Gear Mesh Gage	Badger Meter P/N 21747-000

Preventive Maintenance

Periodic Inspection

1. Visually inspect the turbo meter and meter-mounted accessory. Repair or replace components as required based on the visual inspection.
2. Verify that the meter operates at the proper flow rate and pressure. A loss in pressure, coupled with the resulting decrease in flow rate, may indicate the screen in the upstream pipeline is clogged with material and requires cleaning.

Cleaning

1. Clean all dust, dirt, grease, moisture or other foreign material from the exterior of the meter and meter-mounted accessory.
2. If the piping arrangement of the facility includes a flushing system, shut off the liquid flow to the meter. Flush the interior of the meter with an appropriate cleaning fluid to remove any buildup of deposits or corrosion on the internal portion of the meter.

Calibration Check and Adjustment

The accuracy of Badger Meter turbo meters is tested at the factory with water. However, due to possible use of liquids that could vary in viscosity, it may be necessary to recalibrate a meter under operating conditions. The following instructions are to assist in performing a calibration adjustment.

Accuracy Test

1. Place a test tank of known volume at the output of the meter.
2. Operate the meter until the test tank is filled to a calibrated level. Run at the actual flow rate used in the operation.
3. Record the quantity indicated on the meter accessory.
4. Perform the following calculations to determine percent of accuracy of the meter-accessory combination:

$$\frac{\text{Qty. Indicated on Accessory}}{\text{Actual Quantity in Test Tank}} \times 100 = \text{Meter Accuracy}$$

Example 1:

$$\frac{95 \text{ Gallons}}{100 \text{ Gallons}} \times 100 = 95\% \text{ Accuracy}$$

In this example, the accessory is slow and must be sped up by a change gear or electronic scaling correction.

Example 2:

$$\frac{104 \text{ Gallons}}{100 \text{ Gallons}} \times 100 = 104\% \text{ Accuracy}$$

In this example, the accessory is fast and must be slowed down.

Change Gear Corrections

If the test indicates that an adjustment is required, proceed as follows:

1. Remove the change gears from the spindles by loosening the setscrew.

NOTE: Both the O.D. dimension (in decimal inches) and the number of teeth are stamped on each gear.

2. Calculate the ratio of existing change gears as follows:

$$\text{Ratio} = \frac{\text{No. of Teeth on Register Change Gear}}{\text{No. of Teeth on Meter Register Base}}$$

3. Calculate the new change gear ratio required by multiplying the ratio of existing change gears by percent-of-meter accuracy determined in test.

Example:

$$\text{Existing Change Gear Ratio} = \frac{42 \text{ Teeth}}{43 \text{ Teeth}} = 0.976$$

$$\text{Meter Accuracy} = 95 \%$$

$$\text{Corrected Change Gear Ratio} = 0.976 \times \frac{95}{100} = 0.927$$

4. Select a combination of new change gears that match the corrected change gear ratio. If stocked change gears are not available, submit an order for change gears to your nearest Badger Meter representative or to Badger Meter.

NOTE: When ordering, give the serial number of the turbo meter, which is stamped on the outlet flange of the meter. Specify the meter size and accessory employed along with the number of teeth and diameter on the existing change gears. Specify the corrected change gear ratio.

5. Install the corrected change gears, taking care to assemble the correct change gears to the appropriate spindles (see *Figure 2*). For registers, see "*Servicing*" on page 12 for instructions on the proper method of installing and meshing change gears. On meters with 76 Series registers, provision for change gear adjustment is built in. See the applicable register's user manual for recalibrating instructions.

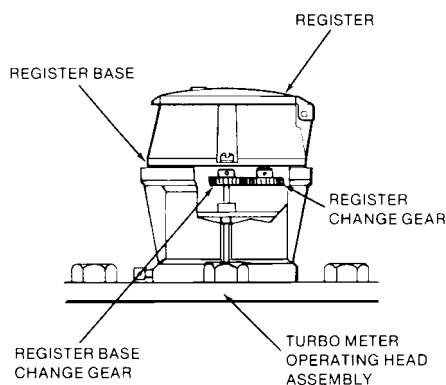


Figure 2: Change gear location, register base and register assembly

Electronic Scaling Correction

If the test results indicate an adjustment is required, see the instruction manual for that accessory for the procedure to change the scale factor.

Calibrating 2" and 3" Meters

The 2" and 3" turbo meters with bronze and cast iron housings and bronze heads are equipped with a bypass valve for minor calibration adjustment in the field. Test the meter's accuracy to determine if recalibration is required. If the meter is out of calibration, proceed as follows:

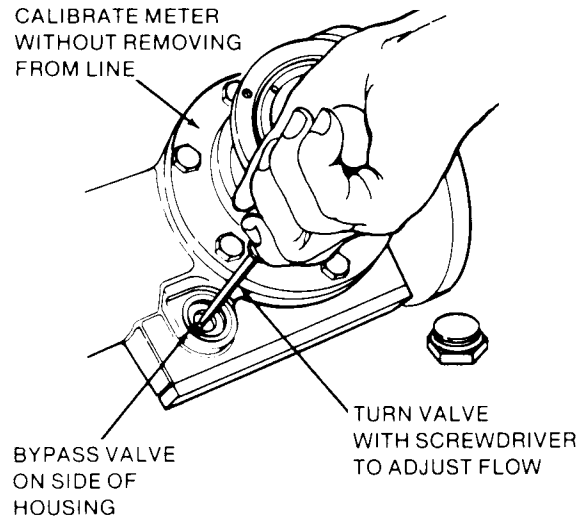


Figure 3: Calibrating 2" and 3" turbo meters

1. Remove the bypass cover nut with a wrench.
2. Using a wide-bladed screwdriver, loosen the bypass valve lock ring.
3. Adjust the bypass valve with a screw driver:
 - a. To INCREASE registration, turn the slot in the valve perpendicular to the axis of the meter (line of flow). This will restrict the amount of volume flowing through the bypass and increase flow through the metering chamber.
 - b. To DECREASE registration, turn the slot in the valve parallel to the axis of the meter. This will increase liquid volume through the bypass and decrease flow through the metering chamber.

NOTE: The total range of the bypass adjustment occurs within a 90 degree or quarter turn of the valve from the parallel, inline position to the perpendicular position, or vice versa. The total range of adjustment is about four percent. Tested and calibrated at the factory, the bypass valve will be set at about 45° from the full "open" or "closed" position. This setting will allow for a $\pm 2\%$ adjustment to recalibrate the meter in the field.

3. With the valve turned to the desired bypass setting, tighten the valve lock ring.
4. Install and tighten the bypass valve cover nut.
5. Retest the meter to confirm the accuracy of the bypass adjustment. If the meter is still out of calibration, repeat the procedure outlined above.

Register Base Replacement

Badger Meter turbo meters can be serviced without removing them from the system. To inspect or replace component parts of the head assembly, close the upstream and downstream valves. If the installation is equipped with an inlet and drain valve for flushing the meter, open the drain valve to relieve pressure from within the meter. However, if the meter piping is not equipped with a drain valve, proceed as follows to relieve pressure within the meter:

1. Do not remove the register base from the operating head assembly. The entire head assembly must be removed as a complete unit (See figure below).
2. Loosen each of the head bolts about one and one-half turns. Do not remove the bolts completely.
3. If the gasket-seal between the meter head and the housing is not leaking at this time, pry the head assembly loose by inserting a screwdriver from the outlet side of the head assembly where the head and housing join together.

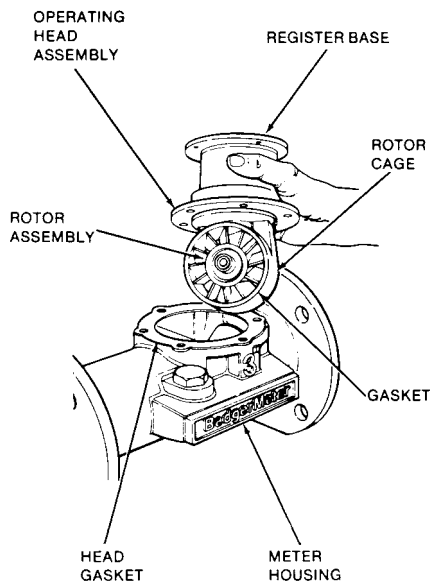


Figure 4: Turbo meters serviced without removal from the line

⚠ CAUTION

MAKE SURE THAT FLUID DOES NOT SPRAY FROM THE METER. THE LIQUID SPRAY COULD CONTACT ELECTRICAL EQUIPMENT AND CREATE AN ELECTRICAL HAZARD.

4. Allow the meter to drain and relieve internal pressure.
5. When pressure is relieved, remove the head bolts and shift the head assembly toward the outlet-end of the meter to release the head-to-housing seal. Then lift the entire head assembly from the housing and, at the same time, tilt the operating head up to prevent the rotor from falling off the rotor spindle.

NOTE: Rotors are furnished with two-pole or four-pole magnets, depending on the type of accessory.

6. When the operating head has been removed, lift the rotor out of the rotor cage and set it aside. Remove the head gasket.
7. To remove the register base from the head assembly, loosen the seal screw on the base with a screwdriver. Rotate the base 45 degrees in either direction to release it from the bayonet lock detents on the head assembly.
8. The register base retaining ring is accessible through the rotor cage in the head assembly. With a Truarc right-angle pliers #1549, expand and remove the register retaining ring on the extension tube, then remove the register base from the head assembly.
9. To reinstall or replace the register base, repeat the procedure above in reverse making sure that the retaining ring has been reinstalled on the extension tube.

NOTE: The head unit has a gasket bonded to the periphery of the rotor cage. Depending on the chemical solution to be metered, the gasket will be made of EPR, Buna N or Viton A material. Re-inserting the head assembly into the meter housing correctly will require compressing the gasket slightly. This is done by tilting the top of the register base on the head toward the inlet side of the meter. The meter head has a pilot diameter machined into the cage at the gasket face. This pilot diameter must extend through the housing gasket inner diameter and into the housing bore. After lowering the head assembly into the housing, move the entire head assembly straight toward the inlet side of the meter. The pilot diameter must snap into the bore of the housing to provide a tight seal.

10. With the head gasket aligned and the head assembly properly positioned in the housing, reinstall and tighten the head bolts (between 90...180 in-lb of torque).
11. Close the flushing system drain valve. Open the upstream valve partially, then open the downstream valve slightly to purge any air from the service line. Then open both valves completely.

Servicing

This section covers the removal, inspection and installation of service parts and assemblies. Any service or repair procedures that apply to a meter-mounted or free-standing accessory are provided in the user manual pertaining to that device. If satisfactory repair cannot be made, contact Badger Meter.

Change Gear Replacement

1. Replacing the change gear on the register base spindle requires no gage to properly mesh this gear with the register change gear. A shoulder-stop is built in to the spindle at the proper gear height to eliminate the necessity to adjust the gear.
2. The change gear in the register should be installed with a Badger Meter change gear mesh gage (P/N 21747-000) for proper gear mesh.

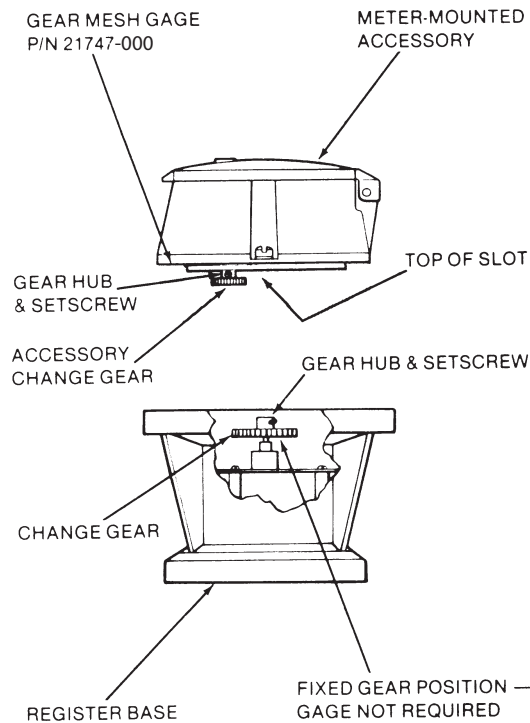


Figure 5: Replacing turbo meter change gears

- a. Place the bottom of the register on the top edge of the gage. See *Figure 2 on page 9*.
- b. Adjust the change gear on the register spindle so that it rests against the top of the slot in the gage. Holding the change gear in this position, tighten the setscrew in the hub of the change gear.

NOTE: Install the change gears on the spindles with the hub of the gears in the UP position.

- c. Carefully install the register on the base. Make sure that the gears fully mesh. Install and tighten the register seal screws.

⚠ CAUTION

DO NOT BEND THE SPINDLES WHEN INSTALLING THE GEARS OR REASSEMBLING THE REGISTER TO THE REGISTER BASE.

Instructions for Removing the Gear Train Assembly with Magnet

The gear train assembly can be removed and replaced without removing the turbo meter from the line.

Two gear train assemblies are used with industrial turbo meters. To find out what the gear train ratio is, count the number of spindles (gear and pinions) that protrude through the five mounting holes provided in the top plate of the gear train assembly. If there are only three spindles, the gear ratio is 366:1 and if there are five spindles, the gear ratio is 1200:1.

1. Remove the register, transmitter or adapter mounted on the register base.
2. Release the retainer ring from the groove to free the gear train assembly from the base.

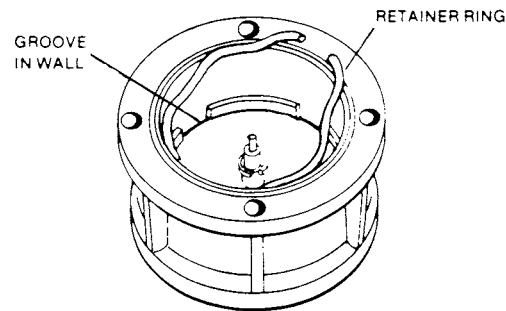


Figure 6: Release the retainer ring

3. Use a small screwdriver to release the retainer ring from the groove in the wall adjacent to the top plate of the gear train assembly.
4. Grip the change gear spindle and lift to remove the gear train assembly with magnet from the register base.
5. Remove the accessory change gear or coupling from the gear train spindle. Before removing, note the location of the change gear (or coupling) on the spindle so that it can be reinstalled in the same location.

NOTE: A flat surface is provided at the top of the spindle of the change gear assembly so that the setscrew in the change gear or coupling can be properly seated and tightened to the spindle.

6. Gear train assemblies are packaged with the magnet and spindle assembly disassembled from the gear train assembly. Before assembling, carefully check the spindle for minute burrs on the threaded end of the spindle. If there are burrs, use a crocus cloth and carefully remove them from the spindle. This will prevent damage to the surface of the jewel bearing when inserting the magnet spindle through the jewel bushing in the bottom plate of the gear train assembly. An E-ring should be mounted on the spindle. If missing, remove the E-ring from the replacement spindle and snap it into the grooved collar near the threaded end of the spindle.

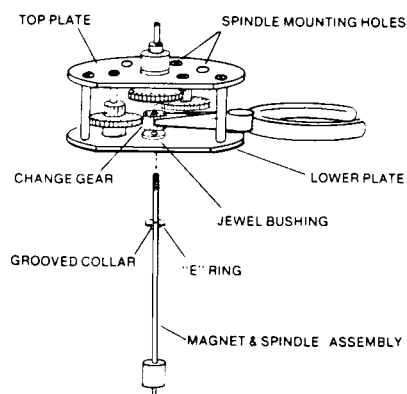


Figure 7: Installing the magnet spindle assembly to the gear train assembly

Instructions for Removing the Local Register

1. To remove the register cover and clamp ring, remove the seal screw that acts as a hinge pin. Remove the clamp ring by spreading it slightly apart at the open side to provide clearance so it can be lifted off the meter head.
2. Slide out the register lock plate, located between the register base and the meter head at the entrance side of the rotor cage.
3. Rotate the register 45 degrees in either direction to release it from the bayonet lock detents on the head assembly.
4. Release the retaining ring surrounding the register extension tube inside the rotor cage. Using a Truarc right-angle pliers, expand the retaining ring and, at the same time, pull the register tube out of the head unit, removing the register assembly.

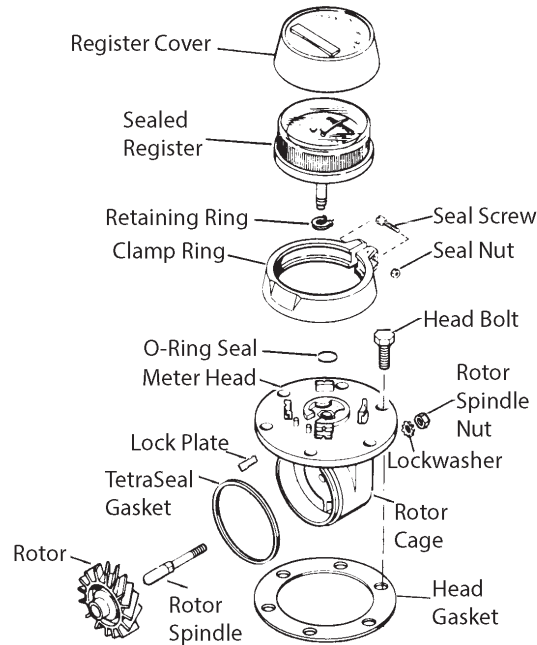


Figure 8: Register and operating head assembly
(2" and 3" meters shown)

Available from:



**STERLING
CONCRETE
EQUIPMENT**

937-747-4300

SterlingConcreteEquipment.com