

Torit Backward Inclined (TBI) Fans provide a convenient, cost-effective method of integrating a high efficiency fan with a Donaldson® Torit® dust collector.

- Mounts directly to the clean-air plenum of the dust collector, eliminating costly transition ducting, and reducing footprint of the system
- Sizes range from 3 to 30 hp
- Capacities from 1,400 to 10,300 cfm (2,378 to 17,496 m³/h)
- Backward inclined fan wheel provides high efficiency operation
- Direct-drive operation eliminates maintenance of fan bearings and belts
- Computer balanced fan and motor assembly ensures vibration-free operation
- All necessary hardware for quick and easy installation is included
- Standard paint finish is blue
- All 60 Hz motors are EISA compliant and meet or exceed NEMA Premium®* Efficiency Standards
- Fan inlet spool piece is flanged and punched for easier installation



TBI-15 (60 Cycle)

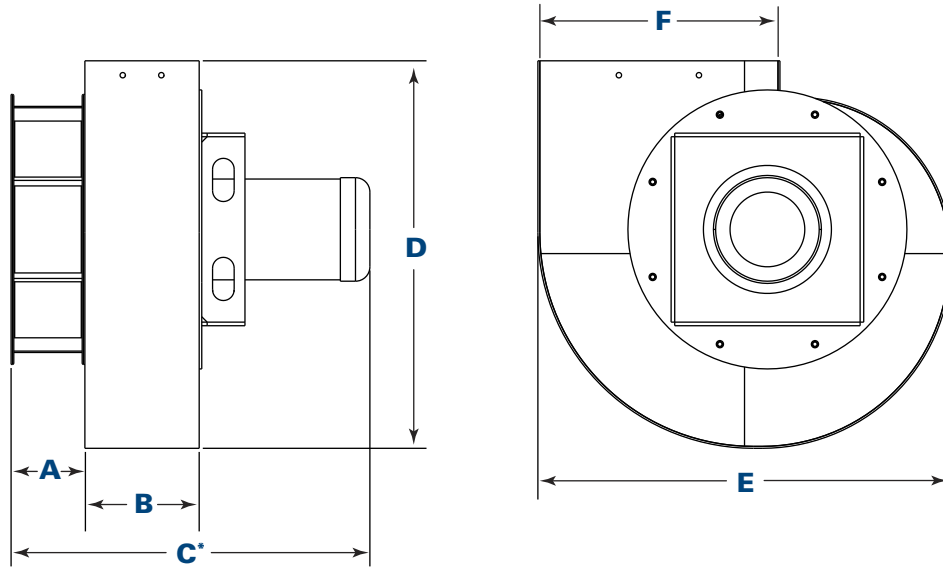
EQUIPMENT OPTIONS

High performance Torit-Built® silencer (60 cycle only)	High temperature version available
Aluminum fan wheel	50 cycle/IEC motor configurations
Explosion-proof motors - NEMA rated	Flanges for exhaust ductwork
Outlet dampers	

www.SterlingConcreteEquipment.com

* NEMA Premium is a registered trademark of National Electrical Manufacturers Association.

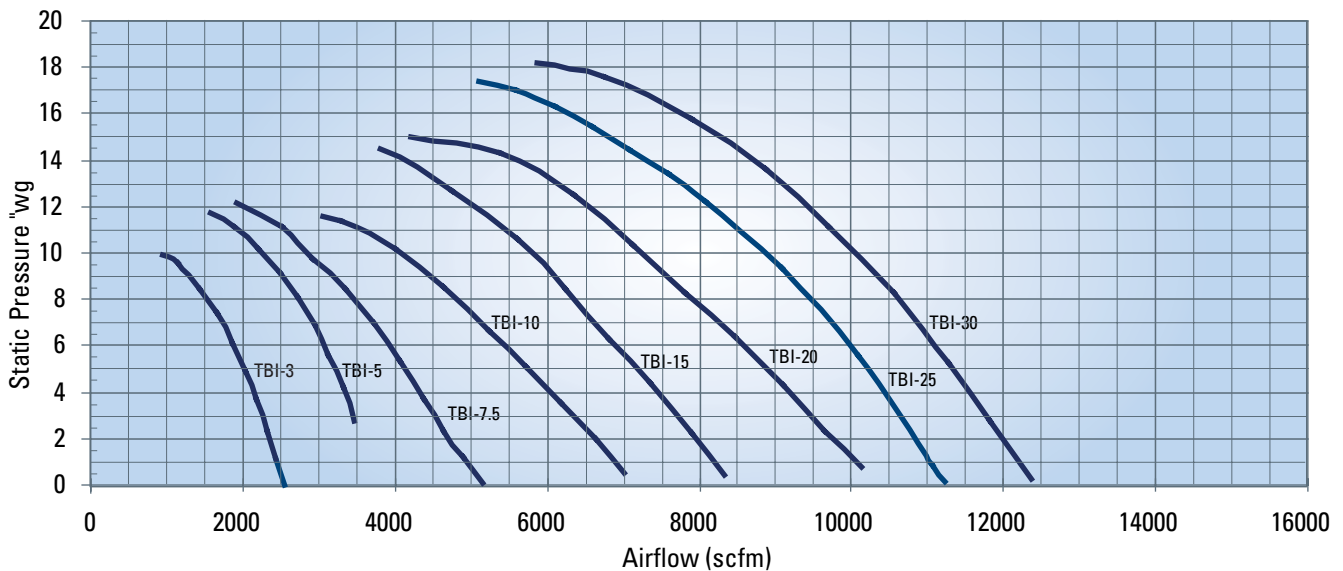
DIMENSIONS & SPECIFICATIONS FOR 60 CYCLE TBI FAN



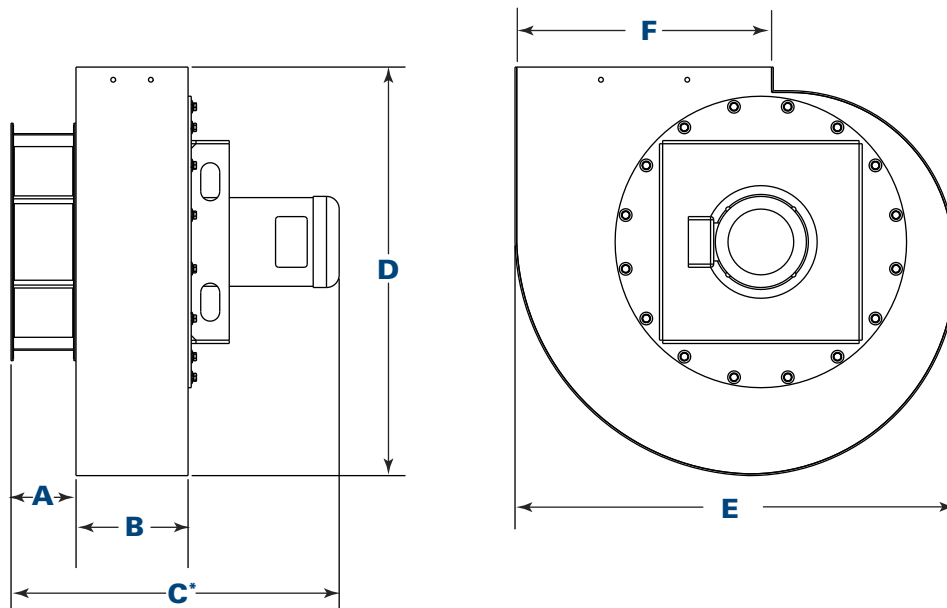
60 Cycle Fans	Dimensions												Shipping Weight	
	A		B		C*		D		E		F		lb	kg
	in	mm	in	mm	in	mm	in	mm	in	mm	in	mm		
TBI-3	5.2	132.1	7.9	200.7	26.7	678.2	26.9	683.3	28.7	729.0	16.8	426.7	176	80
TBI-5	5.2	132.1	8.7	221.0	27.4	696.0	26.9	683.3	28.7	729.0	16.8	426.7	199	90
TBI-7.5	5.2	132.1	10.1	256.5	31.5	800.1	26.9	683.3	28.7	729.0	16.8	426.7	232	105
TBI-10	5.2	132.1	11.4	289.6	32.8	833.1	26.9	683.3	28.7	729.0	16.8	426.7	263	119
TBI-15	5.2	132.1	11.9	302.3	37.3	947.4	32.3	820.4	34.8	883.9	20.4	518.2	408	185
TBI-20	5.2	132.1	13.6	345.4	39.0	990.6	35.5	901.7	34.8	883.9	20.4	518.2	452	205
TBI-25	5.2	132.1	14.2	360.7	41.3	1049.0	37.3	947.4	38.3	972.8	22.4	569.0	643	292
TBI-30	5.2	132.1	14.8	375.9	41.9	1064.3	37.3	947.4	38.3	972.8	22.4	569.0	661	300

* This dimension is subject to change based on the motor manufacturer chosen and on the motor enclosure type (TEFC or EP). If this dimension is critical, you should verify the information with your sales representative.

PERFORMANCE CURVES FOR 60 CYCLE TBI FAN



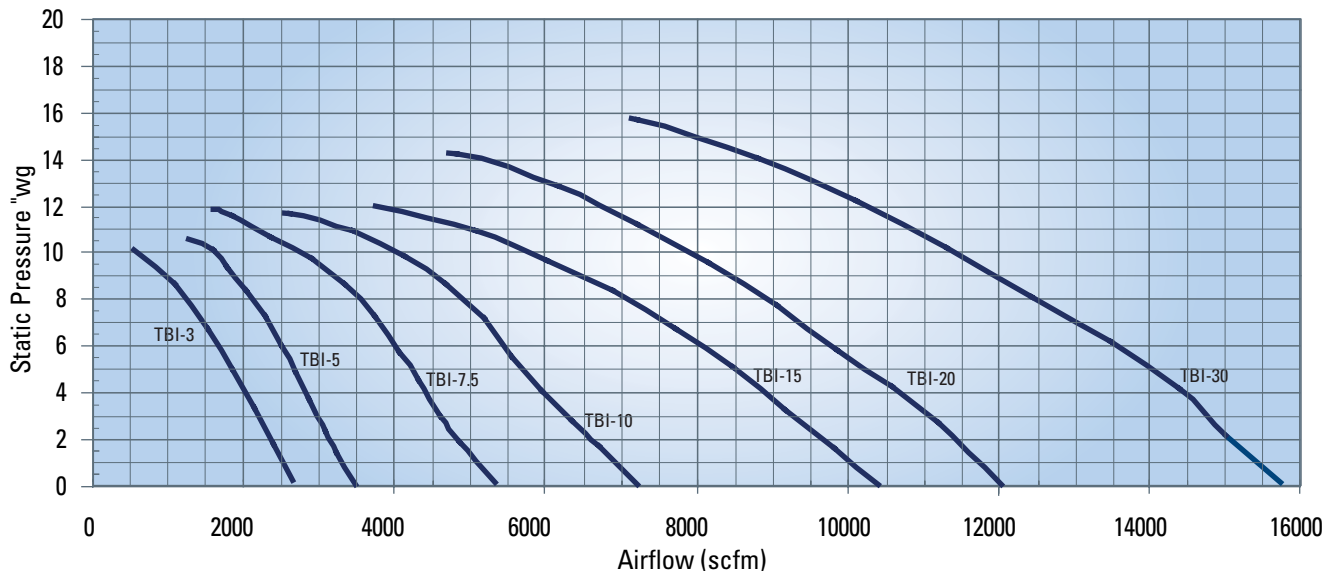
DIMENSIONS & SPECIFICATIONS FOR 50 CYCLE TBI FAN



50 Cycle Fans	Dimensions												Shipping Weight	
	A		B		C*		D		E		F		lb	kg
	in	mm	in	mm	in	mm	in	mm	in	mm	in	mm		
TBI-3	5.2	132.1	8.9	226.1	27.9	708.7	32.3	820.4	34.8	883.9	20.4	518.2	228	103
TBI-5	5.2	132.1	10.3	261.6	29.3	744.2	32.3	820.4	34.8	883.9	20.4	518.2	254	115
TBI-7.5	5.2	132.1	11.9	302.3	33.9	861.1	32.3	820.4	34.8	883.9	20.4	518.2	293	133
TBI-10	5.2	132.1	13.6	345.4	35.6	904.2	32.3	820.4	34.8	883.9	20.4	518.2	324	147
TBI-15	5.2	132.1	13.9	353.1	40.4	1026.2	32.3	820.4	34.8	883.9	20.4	518.2	409	186
TBI-20	5.2	132.1	15.4	391.2	41.9	1064.3	37.3	947.4	38.3	972.8	22.4	569.0	503	228
TBI-30	5.2	132.1	16.3	414.0	43.6	1107.4	40.4	1026.2	42.5	1079.5	24.9	632.5	704	319

* This dimension is subject to change based on the motor manufacturer chosen and on the motor enclosure type (TEFC or EP). If this dimension is critical, you should verify the information with your sales representative.

PERFORMANCE CURVES FOR 50 CYCLE TBI FAN



60 CYCLE TBI FAN SOUND DATA* & AMCA FAN CLASSES

Model	Fan Speed (RPM)	Overall Assembly Sound		Exhaust Only With Exhaust Silencer ³ Lp (dBA)	Silencer ΔP "wg	AMCA Fan Class
		Without Silencer ¹ Lp (dBA)	With Silencer ² Lp (dBA)			
TBI-3	3,500	86	77	69	1.0	II
TBI-5	3,500	88	79	68	1.0	II
TBI-7.5	3,500	93	83	70	1.2	II
TBI-10	3,500	89	80	75	1.9	II
TBI-15	3,500	93	82	77	0.2	III
TBI-20	3,500	95	84	77	0.6	III
TBI-25	3,500	95	85	74	0.3	III
TBI-30	3,500	96	85	74	0.3	III

50 CYCLE TBI FAN SOUND DATA* & AMCA FAN CLASSES

Model	Fan Speed (RPM)	Overall Assembly Sound ¹		Exhaust Only With Exhaust Silencer ³ Lp (dBA)	Silencer ΔP "wg	AMCA Fan Class
		Without Silencer ¹ Lp (dBA)	With Silencer ² Lp (dBA)			
TBI-3	2,920	82	72	80	0.2	II
TBI-5	2,920	85	74	80	0.4	II
TBI-7.5	2,920	88	77	80	0.9	II
TBI-10	2,920	89	79	80	0.8	II
TBI-15	2,920	92	82	80	0.6	III
TBI-20	2,920	94	83	80	0.8	III
TBI-30	2,920	95	85	80	1.3	III

All cases are for uniform free-field propagation into a hemisphere (i.e. reflecting ground plane and neglecting any source directionality).

Sound pressure levels are an overall average determined at the point of fan peak mechanical efficiency at one fan speed. (3500 rpm for 60 Hz fan/motor assemblies, 2920 rpm for 50 Hz.)

1 Sound pressure level at 1 meter (39") from fan case with fan inlet ducted and fan outlet open.

2 Sound pressure level at 1 meter (39") from fan case with Donaldson Torit High Performance Silencer and fan inlet and outlet ducted.

3 Sound pressure level (Lp) at 45 degrees and 1 meter (39") from Donaldson Torit High Performance Silencer discharge. No fan case/motor noise (silencer discharge noise only).

* dB(A) sound levels are an average of measurements made in a laboratory environment. Installed sound levels will vary depending on the measurement location, operating conditions, and installation.



STERLING CONCRETE EQUIPMENT

937-747-4300

www.SterlingConcreteEquipment.com